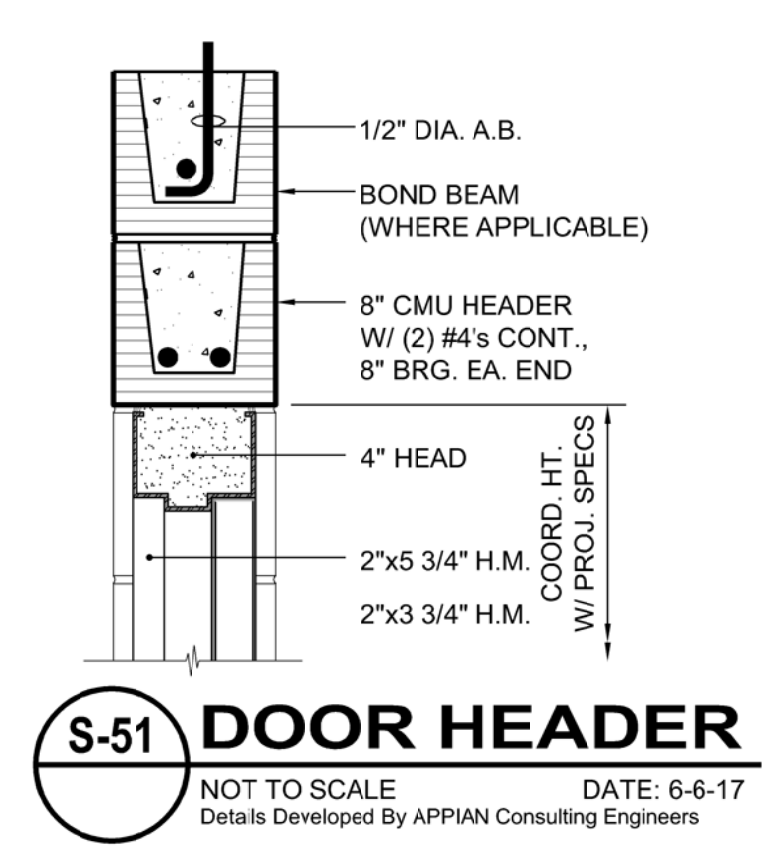


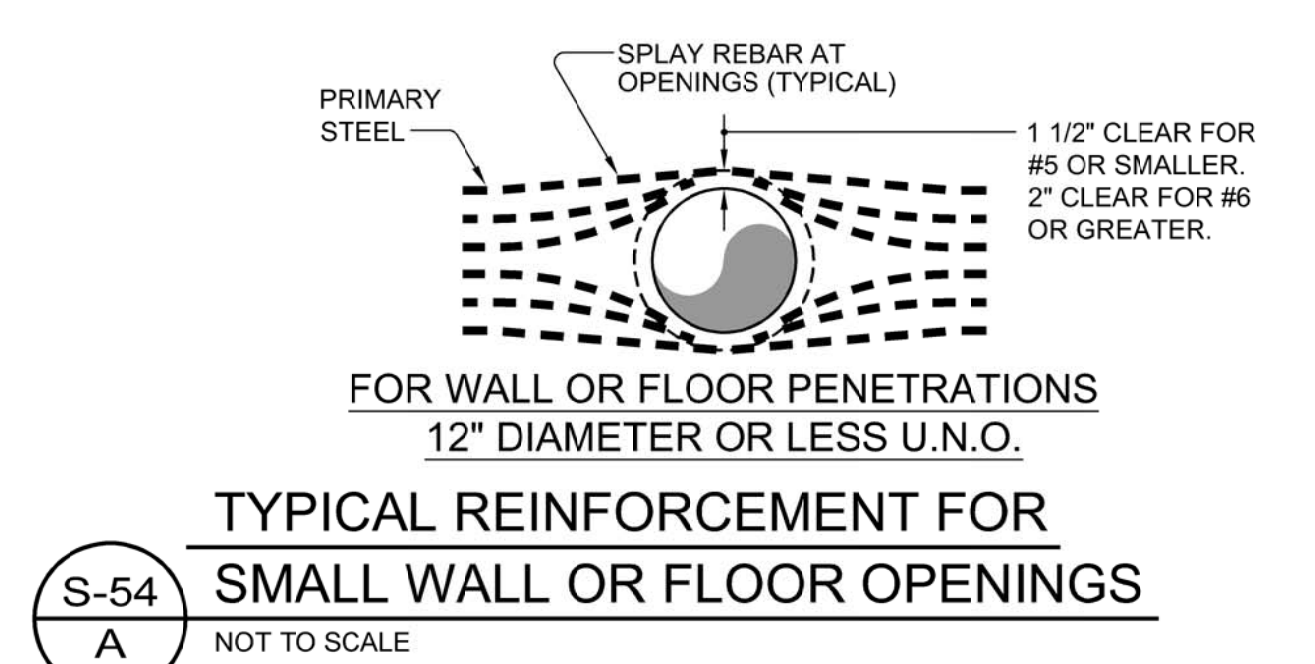
S-50 8" CMU WALL PERSONNEL DOOR LINTEL
3'-4" R.O. SPAN * HALF ELEVATION
 SCALE: 1" = 1'-0" (1663 PLF / 1016 PLF UL / 411 PLF LAT) (CAST-CRETE) DATE: 7-1-20
 Details Developed By APPIAN Consulting Engineers



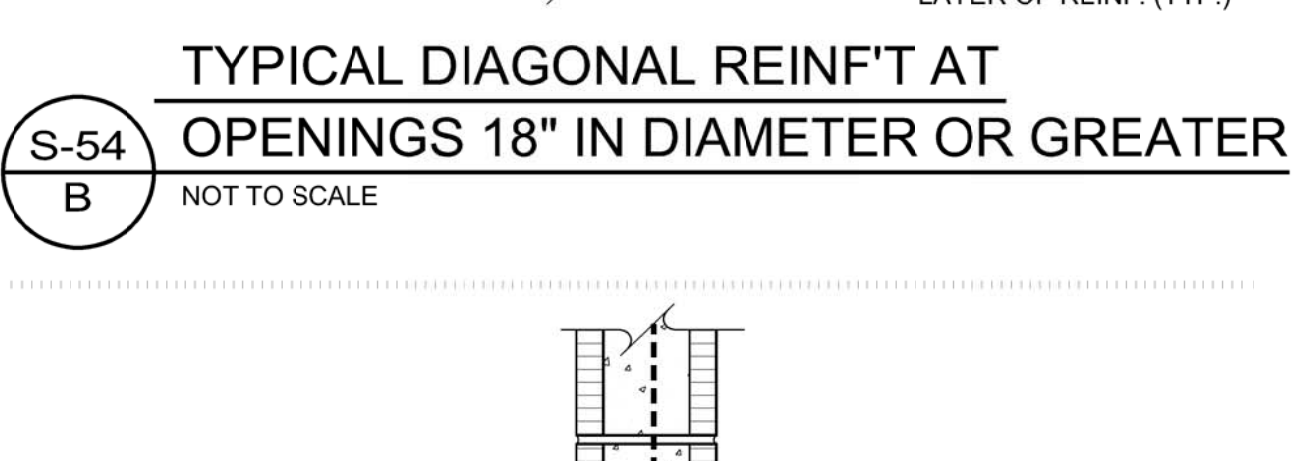
S-51 DOOR HEADER
 NOT TO SCALE DATE: 6-6-17
 Details Developed By APPIAN Consulting Engineers

S-52 JAMB (EXTERIOR)
 NOT TO SCALE DATE: 6-6-17
 Details Developed By APPIAN Consulting Engineers

NOTE:
 ALL DOORS SHALL BE FIBERGLASS REINFORCED PLASTIC (FRP), HARDWARE SHALL BE SCHLAGE HEAVY DUTY CYLINDRICAL



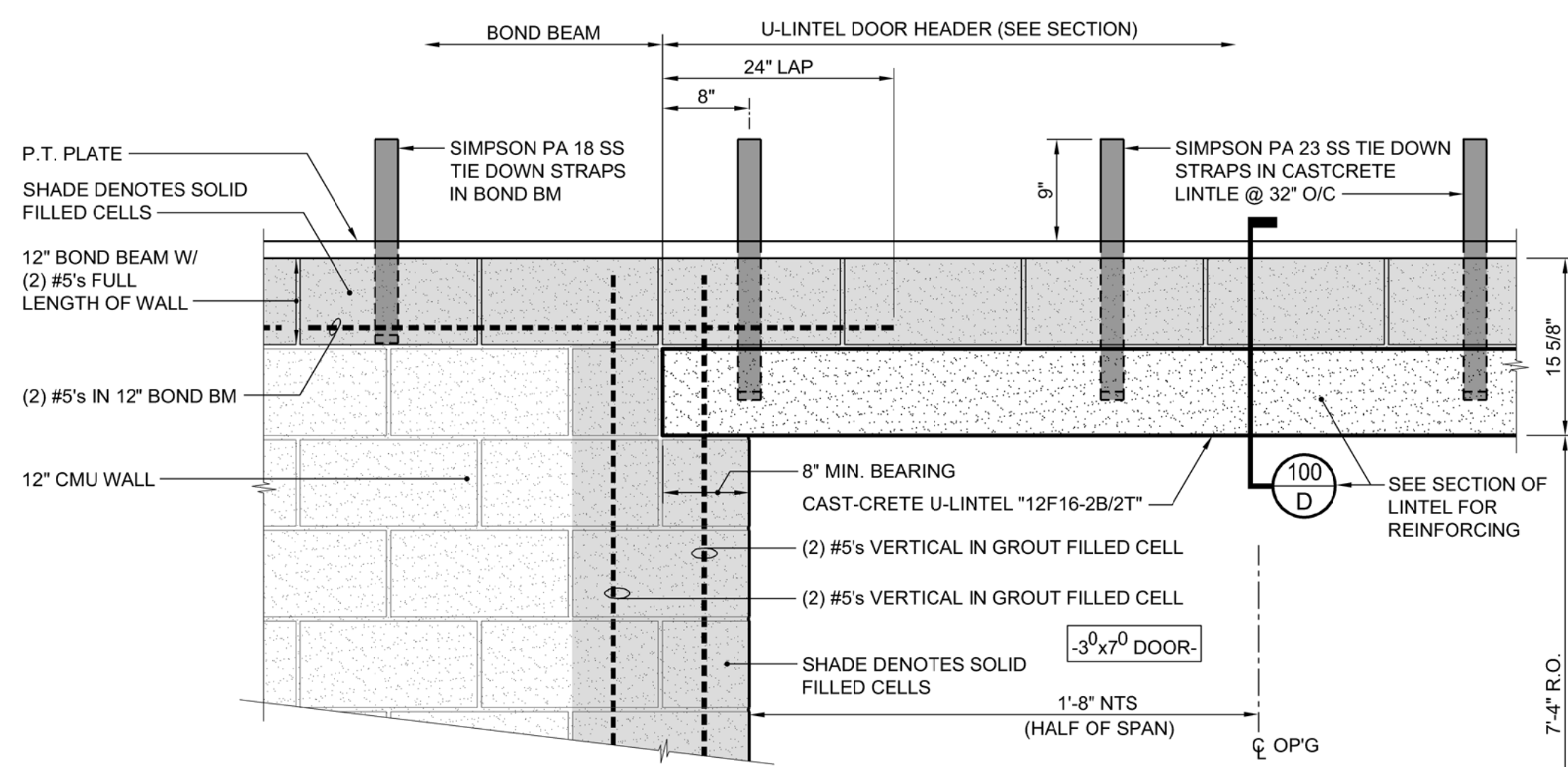
S-54 TYPICAL REINFORCEMENT FOR SMALL WALL OR FLOOR OPENINGS
 NOT TO SCALE



S-54 TYPICAL DIAGONAL REINF'T AT OPENINGS 18" IN DIAMETER OR GREATER
 NOT TO SCALE



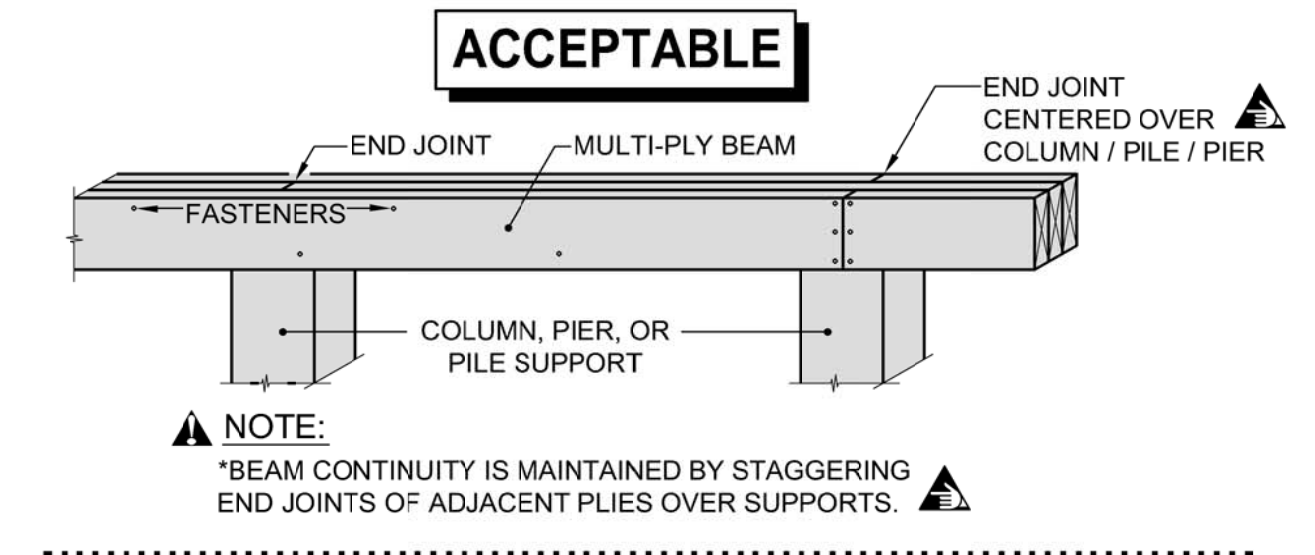
S-54 FOOTING PENETRATION DETAIL
 NOT TO SCALE DATE: 7-31-18
 Details Developed By APPIAN Consulting Engineers



S-50 12" CMU WALL PERSONNEL DOOR LINTEL
3'-4" R.O. SPAN * HALF ELEVATION
 SCALE: 1" = 1'-0" (2320 PLF / 1623 PLF UL / 2547 PLF LAT) DATE: 7-1-20
 Details Developed By APPIAN Consulting Engineers

SECTION OF U-LINTEL DOOR HEADER
 SCALE: 1-1/2" = 1'-0"

NOTE:
 *BEAM CONTINUITY IS MAINTAINED BY STAGGERING END JOINTS OF ADJACENT PLIES OVER SUPPORTS.



S-55 PROPER ASSEMBLY OF BEAMS
 NOT TO SCALE DATE: 4-9-20
 Details Developed By APPIAN Consulting Engineers

SEE DETAIL **S-32** FOR LVL'S FASTENING

SEE DETAIL **S-32** FOR FASTENING SOLID SAWN MULTI-PLY BEAMS

NO.	DATE	DESCRIPTION	BY	CHKD.
1	NOVEMBER, 2022	REVISIONS		
2				
3				
4				
5				

Appian
 CONSULTING ENGINEERS, P.A.
 CIVIL, MUNICIPAL & STRUCTURAL ENGINEERS
 COMPREHENSIVE ENVIRONMENTAL SERVICES
 BLN = C0562

154 Roundabout Ct.
 Rocky Mount, N.C. 27804
 Phone: (252) 972-7703
 Fax: (252) 972-7638

www.appianengineers.com
 admin@appianengineers.com

Final Drawings
 Review Purposes ONLY

SEAL 8421
 ENGINEER
 BOBBY L. JOYNER
 08/06/2023

STANDARD DETAILS For Hyde County N.C. Flood Mitigation Assistance Grant 5161-004

22-089
 D-0000
 D-9