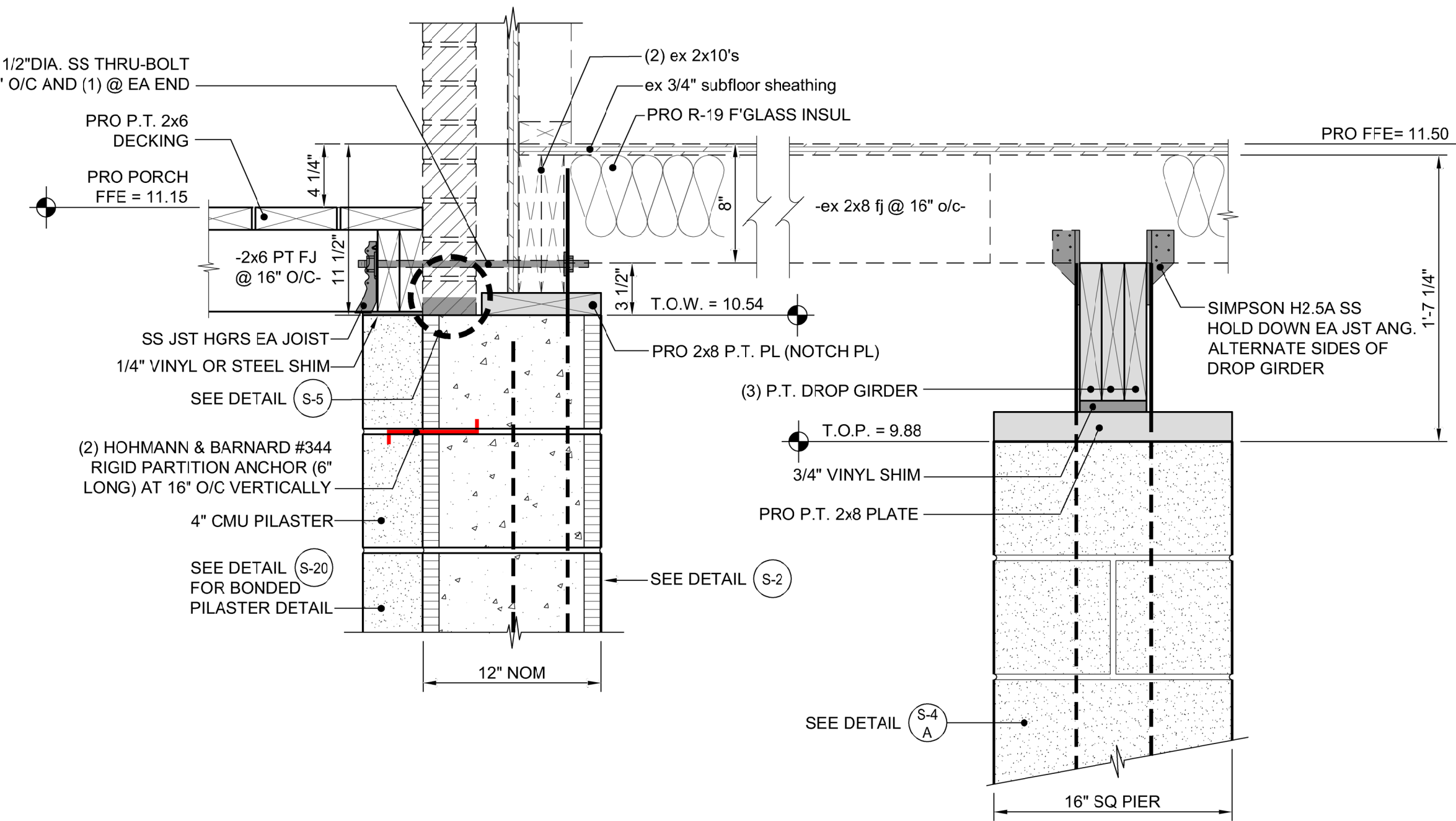
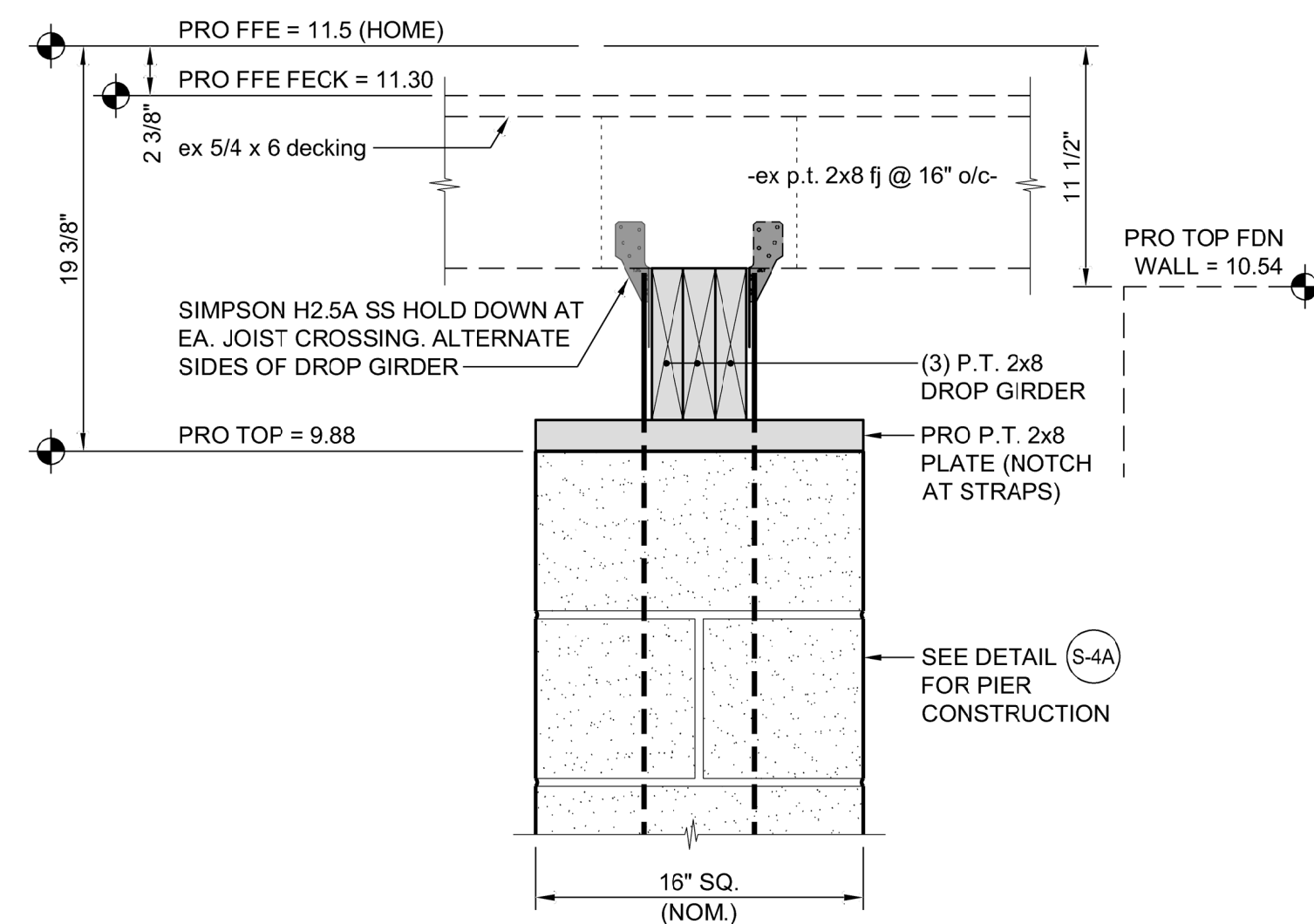


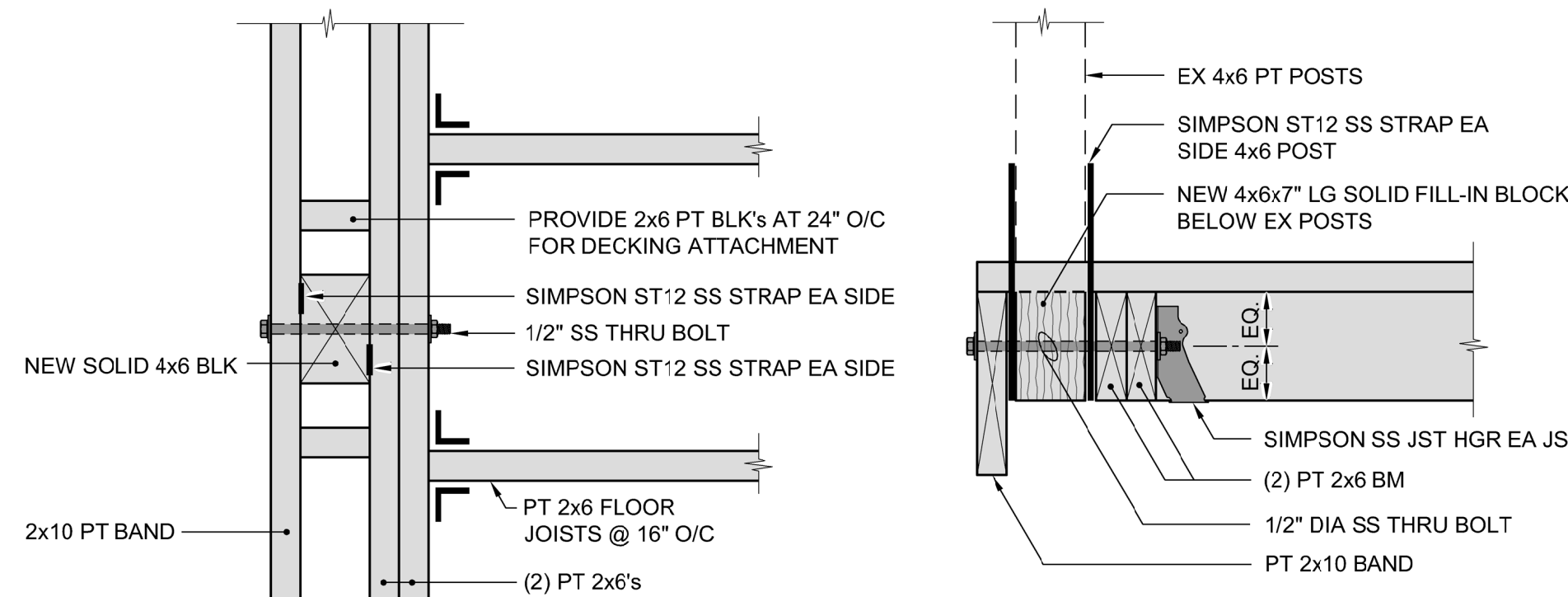
**100 PARTIAL TRANSVERSE SECTION**  
SCALE: 1 1/2" = 1'-0"



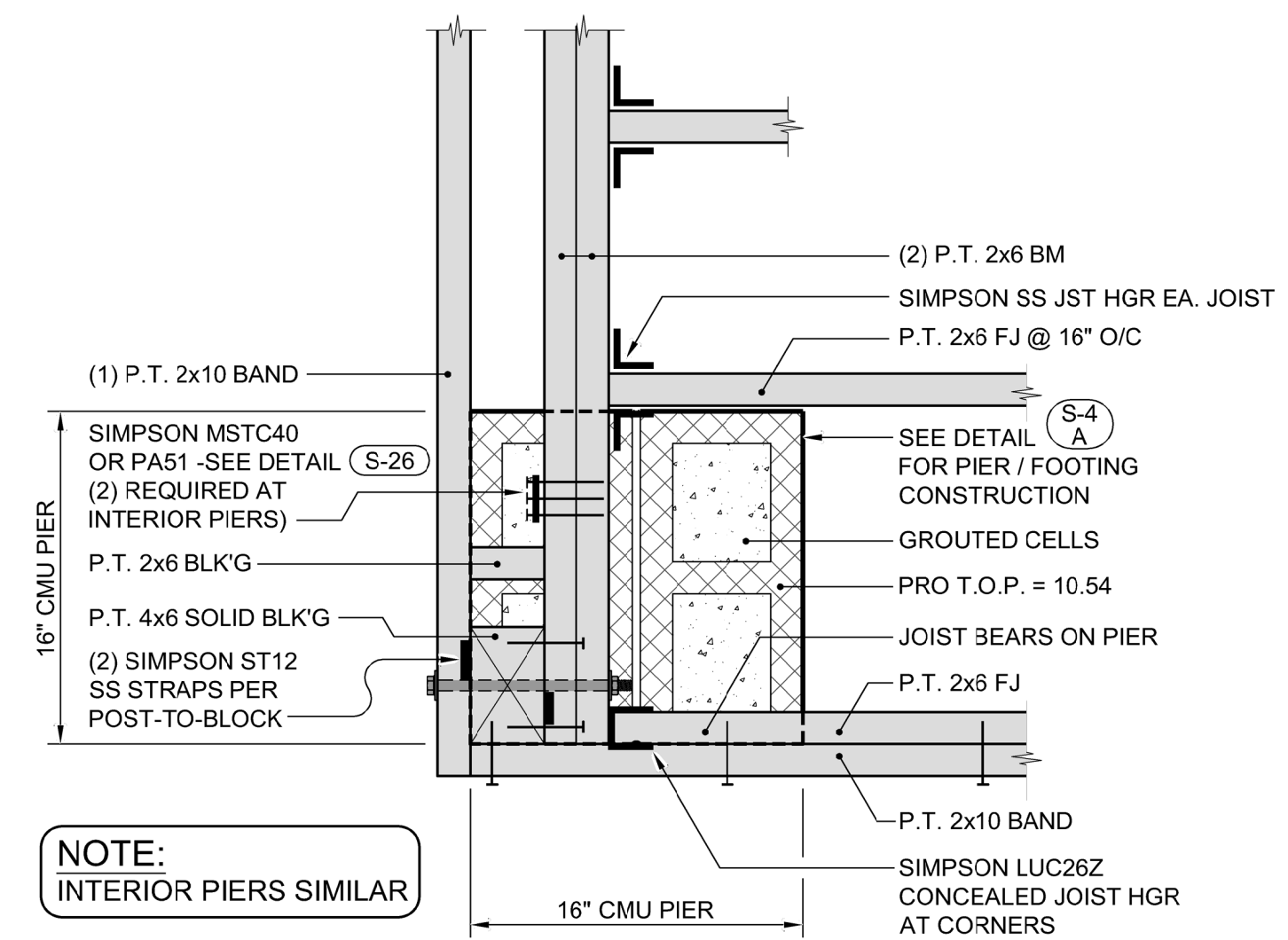
**101 SECTION AT FRONT PORCH/FND WALL**  
SCALE: 1 1/2" = 1'-0"



**103 PROPOSED REAR DECK DROP GIRDER PIER**  
SCALE: 1 1/2" = 1'-0" DATE: 1-18-23  
Details Developed By APPIAN Consulting Engineers



**104 FRONT PORCH POST-TO-BEAM DETAIL**  
SCALE: 1 1/2" = 1'-0" DATE: 1-27-23  
Details Developed By APPIAN Consulting Engineers



**105 PLAN VIEW CORNER POST BEARING on CMU PIER**  
SCALE: 1 1/2" = 1'-0" DATE: 2-2-23  
Details Developed By APPIAN Consulting Engineers

**102 OMITTED**

REV.	NO.	DATE	DESCRIPTION
AS NOTED		March 2018	DESIGN: Bobby Joyner
N/A			LAST EDIT: Michael Gallina
			CHECK:
			BY:
			CAD:

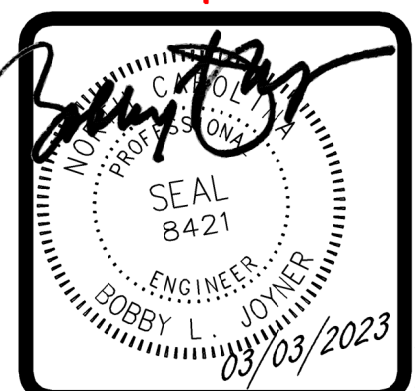


CONSULTING ENGINEERS, P.A.  
CIVIL, MUNICIPAL &  
STRUCTURAL ENGINEERS  
COMPREHENSIVE  
ENVIRONMENTAL SERVICES  
BLN = C0562

154 Roundabout Ct.  
Rocky Mount, N.C. 27804  
Phone: (252) 972-7703  
Fax: (252) 972-7638

www.applanengineers.com  
admin@applanengineers.com

Final Drawings  
Review Purposes ONLY



**CONSTRUCTION DETAILS**  
**(HC2204) NC Hwy 45**  
**Belhaven, N.C. 27810**  
**Hyde County**

22-089  
D-0000  
**HC2204-D**

**CONSTRUCTION SAFETY**  
These drawings do not contain the requirements for job safety. All provisions for safety shall be the sole responsibility of the contractor.

**EXISTING CONDITIONS:**  
The contractor shall be responsible for reviewing all existing job conditions. Any adverse existing conditions affecting work shown on these drawings shall be brought to the attention of the engineer for possible clarification or reconciliation.

**ADA AND LEGAL DISCLAIMER**  
This document is not represented to comply with all requirements contained in the ADA or other laws. Engineers are not licensed to interpret laws or give advice concerning laws, the owner should have this document reviewed by his attorney to determine legal compliance.

