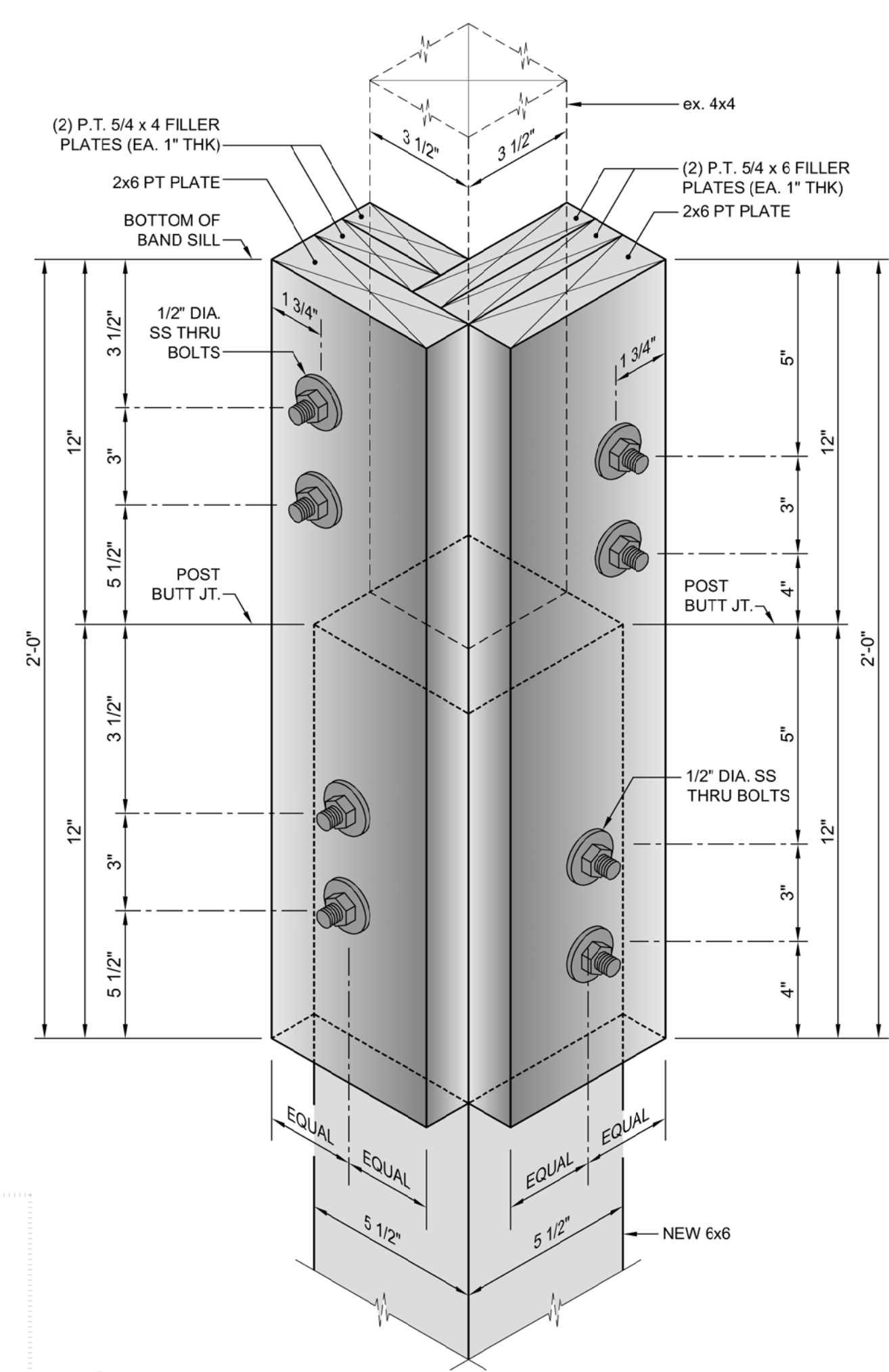
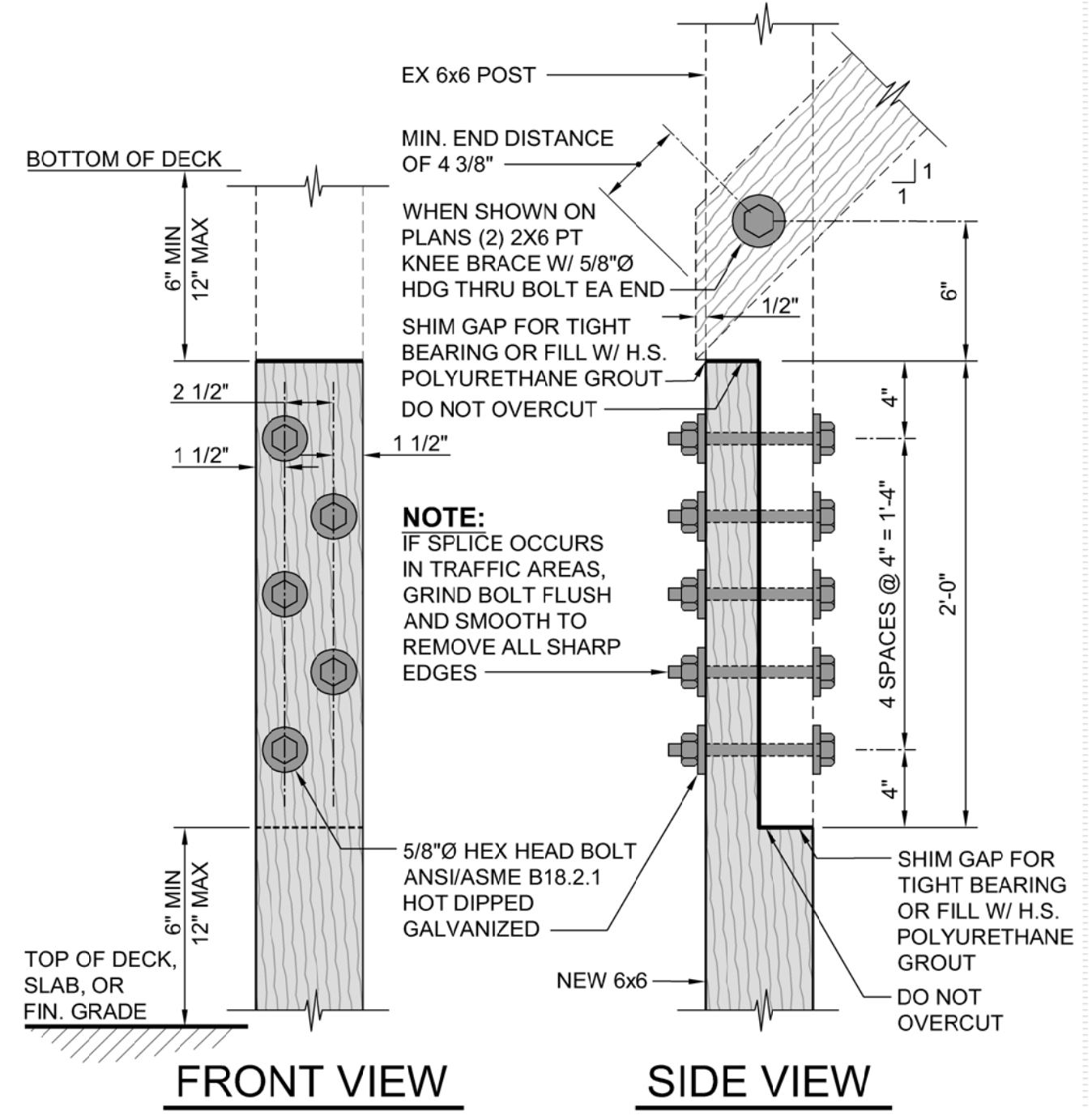


S-22 DECK POST/ COLUMN SPLICE
 SCALE: N.T.S. (METHOD A) DATE: 10-7-16
 Details Developed By APPIAN Consulting Engineers

- NOTES**
- UNBRACED SPLICES SHALL ONLY BE MADE WITHIN 12" OF THE BOTTOM OF THE DECK OR WITHIN 12" OF EITHER THE TOP OF DECK, CONC SLAB, OR FINISHED GRADE.
 - BRACED SPLICES MADE BELOW BOTTOM OF DECK TO BE MADE STARTING 6" BELOW KNEE BRACE. IF CROSS BRACED LOCATE SPLICE PER NOTE 1.
 - DO NOT LOCATE SPLICE AT BEAM OR GUARDRAIL TO COLUMN CONNECTION
 - COORDINATE LOCATION OF POST SPLICE W/ PROJECT INSPECTOR AND ENGINEER. A BRACE MAY BE REQUIRED AT SPLICE AS SHOWN OR 90° TO WHAT IS SHOWN HERE.

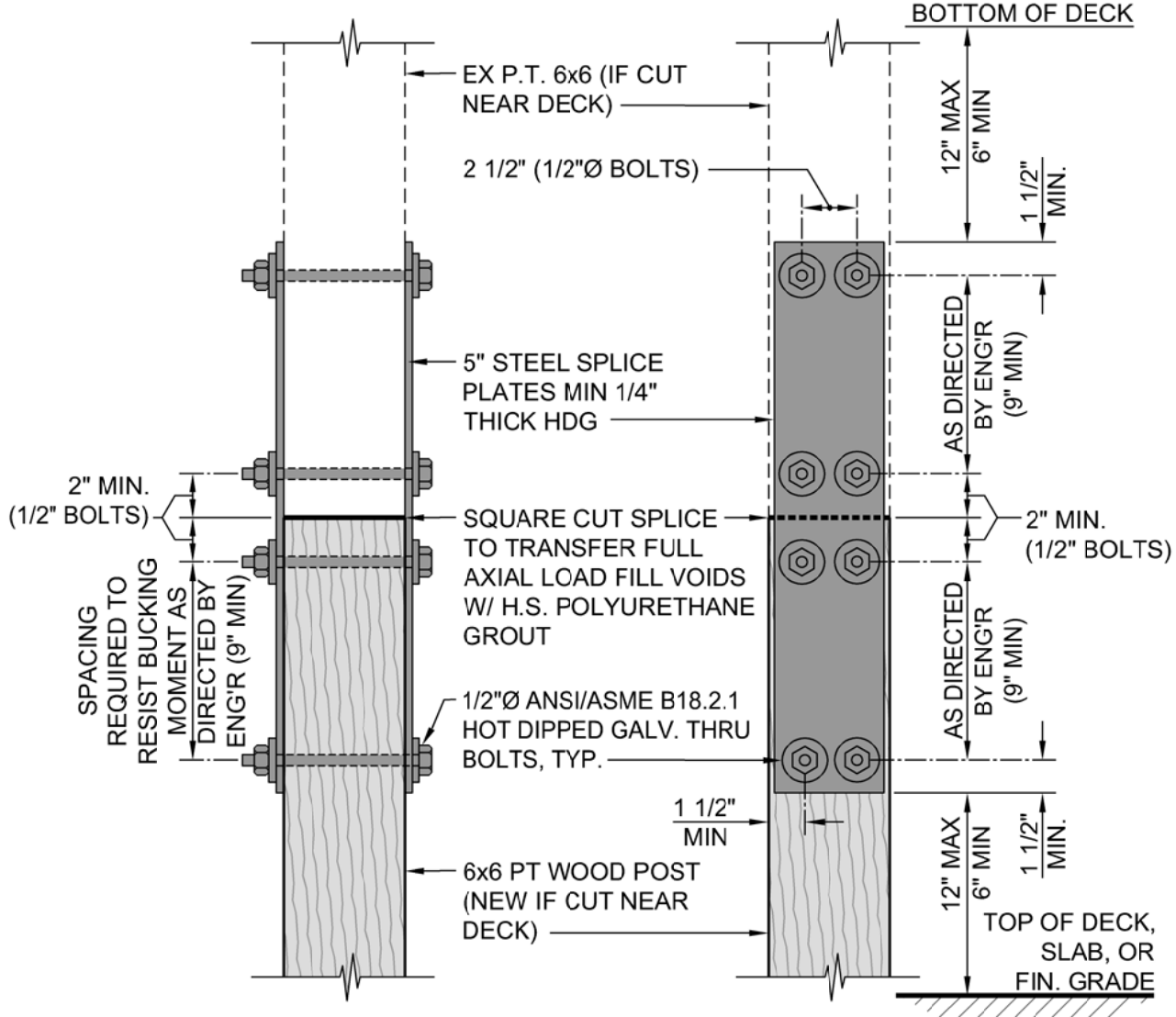


S-22 DECK POST COLUMN SPLICE
 SCALE: N.T.S. DATE: 4-1-19
 Details Developed By APPIAN Consulting Engineers



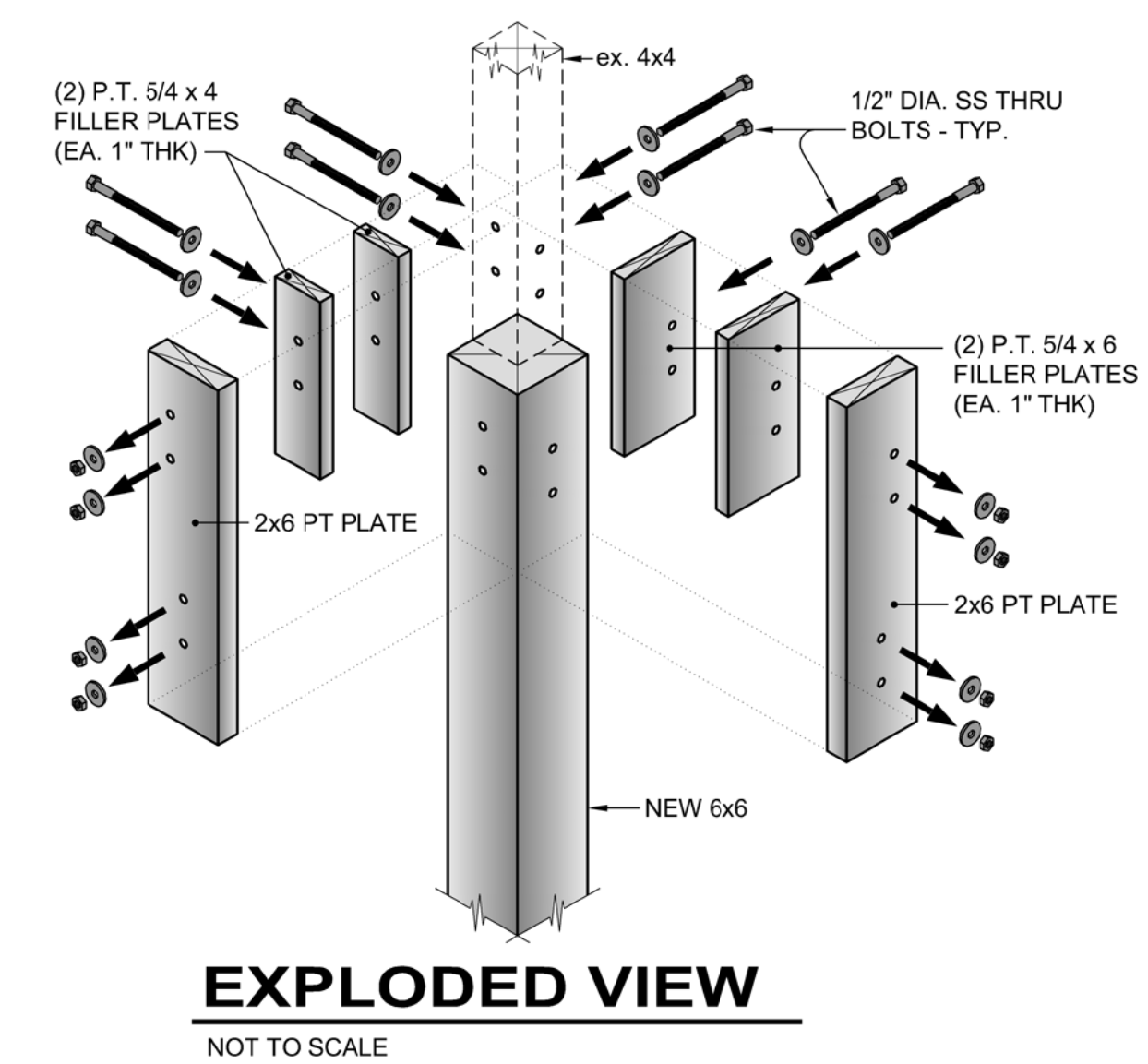
S-22 DECK POST/ COLUMN SPLICE
 SCALE: N.T.S. (METHOD B) DATE: 10-7-16
 Details Developed By APPIAN Consulting Engineers

- NOTES**
- UNBRACED SPLICES SHALL ONLY BE MADE WITHIN 12" OF THE BOTTOM OF THE DECK OR WITHIN 12" OF EITHER THE TOP OF DECK, CONC SLAB, OR FINISHED GRADE.
 - BRACED SPLICES MADE BELOW BOTTOM OF DECK TO BE MADE STARTING 6" BELOW KNEE BRACE. IF CROSS BRACED LOCATE SPLICE PER NOTE 1.
 - DO NOT LOCATE SPLICE AT BEAM OR GUARDRAIL TO COLUMN CONNECTION
 - COORDINATE LOCATION OF POST SPLICE W/ PROJECT INSPECTOR AND ENGINEER. A BRACE MAY BE REQUIRED AT SPLICE AS SHOWN OR 90° TO WHAT IS SHOWN HERE.



S-22 DECK POST/ COLUMN SPLICE
 SCALE: N.T.S. (METHOD C) DATE: 10-7-16
 Details Developed By APPIAN Consulting Engineers

- NOTES**
- DECK POST SPLICES SHALL ONLY BE MADE WITHIN 12" OF THE BOTTOM OF THE DECK OR WITHIN 12" OF EITHER THE TOP OF DECK, CONC SLAB, OR FINISHED GRADE.
 - WHERE EITHER DIRECTED BY ENGINEER OR SHOWN ON PLANS ADD BRACING (KNEE OR X-BRACING AS DIRECTED)



EXPLODED VIEW
 NOT TO SCALE

DESIGNER	BOBBY JOYNER
DATE	NOVEMBER, 2022
NO.	
DATE	
NO.	
DATE	
NO.	
DATE	



CONSULTING ENGINEERS, P.A.
 CIVIL, MUNICIPAL &
 STRUCTURAL ENGINEERS
 COMPREHENSIVE
 ENVIRONMENTAL SERVICES
 BLN = C0562

154 Roundabout Ct.
 Rocky Mount, N.C. 27804
 Phone: (252) 972-7703
 Fax: (252) 972-7638

www.applanengineers.com
 admin@applanengineers.com

Final Drawings
 Review Purposes ONLY



**STANDARD DETAILS For Hyde
 County N.C. Flood Mitigation
 Assistance Grant 5161-004**

22-089
 D-0000
D-3