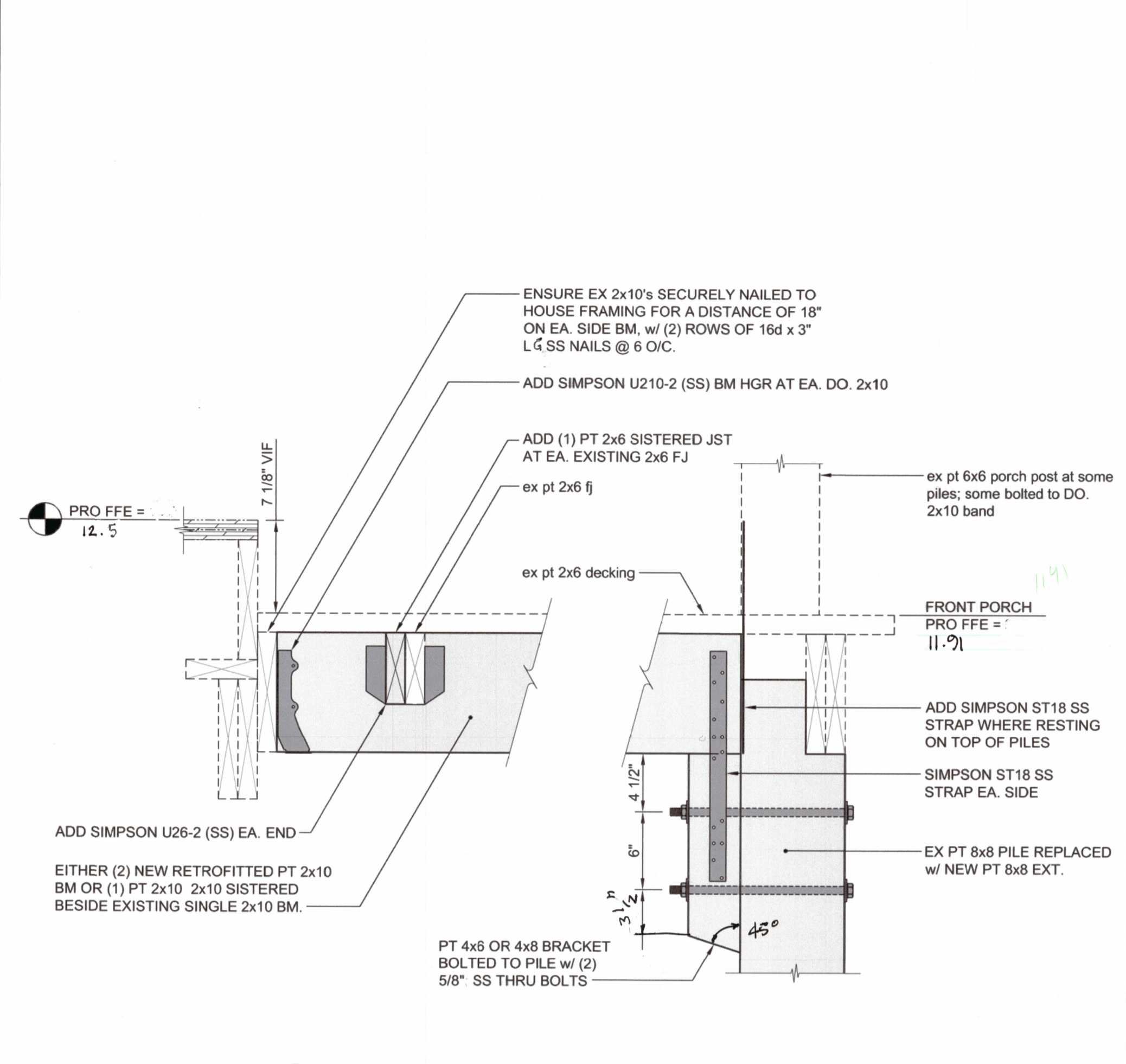
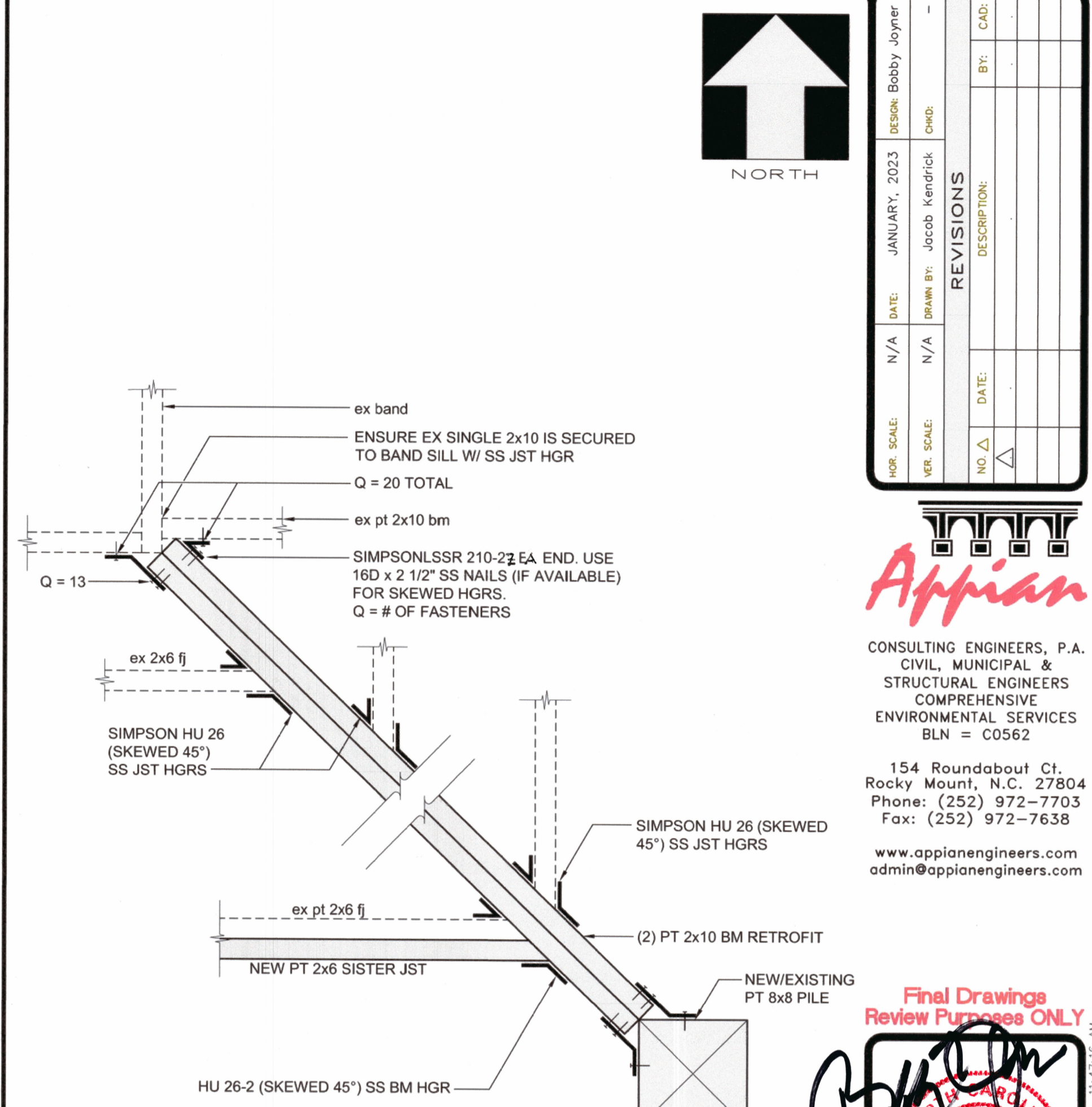


108 PORCH TIMBER PILE SPLICE/ EXTENSION DETAIL
SCALE: 1" = 1'-0" DATE: 1-24-23

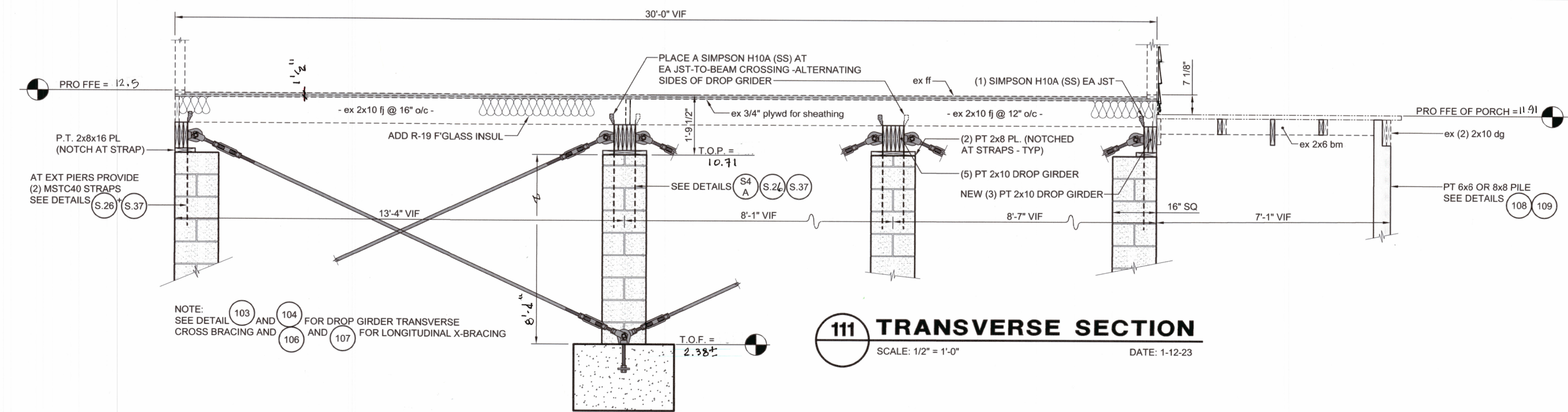
- NOTES:**
- SEE FND PLAN FOR LOCATION OF PILE X-BRACING.
 - SEE DETAIL 104 FOR BOLTING DIAGRAM.
 - X-BRACING TO BE 2x10 PT w/ 5/8" DIA. SS THRU BOLTS.



109 FRONT PORCH FRAMING
SCALE: 1 1/2" = 1'-0" DATE: 1-24-23



110 PLAN VIEW OF PORCH CORNER
SCALE: 1 1/2" = 1'-0" DATE: 1-24-23



111 TRANSVERSE SECTION
SCALE: 1/2" = 1'-0" DATE: 1-12-23



CONSTRUCTION SAFETY
These drawings do not contain the requirements for job safety. All provisions for safety shall be the sole responsibility of the contractor.

EXISTING CONDITIONS:
The contractor shall be responsible for reviewing all existing job conditions. Any adverse existing conditions affecting work shown on these drawings shall be brought to the attention of the engineer for possible clarification or reconciliation.

ADA AND LEGAL DISCLAIMER
This document is not represented to comply with all requirements contained in the ADA or other laws. Engineers are not licensed to interpret laws or give advice concerning laws, the owner should have this document reviewed by his attorney to determine legal compliance.



DATE	JANUARY, 2023	DESIGN	Bobby Joyner
SCALE	N/A	DRAWN BY	Jacob Kendrick
REV. NO.	1	DATE	
DESCRIPTION		BY	
DATE		DATE	



CONSULTING ENGINEERS, P.A.
CIVIL, MUNICIPAL &
STRUCTURAL ENGINEERS
COMPREHENSIVE
ENVIRONMENTAL SERVICES
BLN = C0562

154 Roundabout Ct.
Rocky Mount, N.C. 27804
Phone: (252) 972-7703
Fax: (252) 972-7638
www.appianengineers.com
admin@appianengineers.com



CONSTRUCTION DETAILS
(HC2201) 480 GERMANTOWN RD
CITY, N.C. - GILLIAM
Hyde County

22-089
D-0000
HC*2201-F